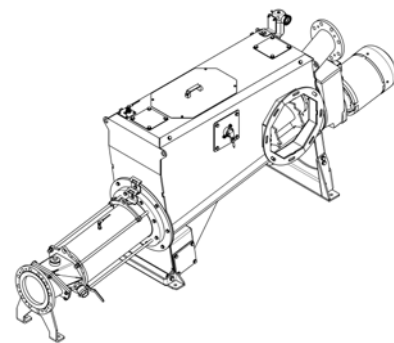


CC-Mix

The CC-Mix for economic digester feeding with flowable to slightly pasty solid matter



Type*	Max. capacity	Max. pressure	Installed drive power	Max. free passage	Solid matter inlet
	m ³ /h	bar	kW	mm	mm
CC-Mix66-M1	50	6	11	88	□ 418
CC-Mix66-M2	50	12	15	88	□ 418
CC-Mix66-D1	85	6	15	95	□ 418

* D1/M1: single-stage progressive cavity pump, M2: two-stage progressive cavity pump